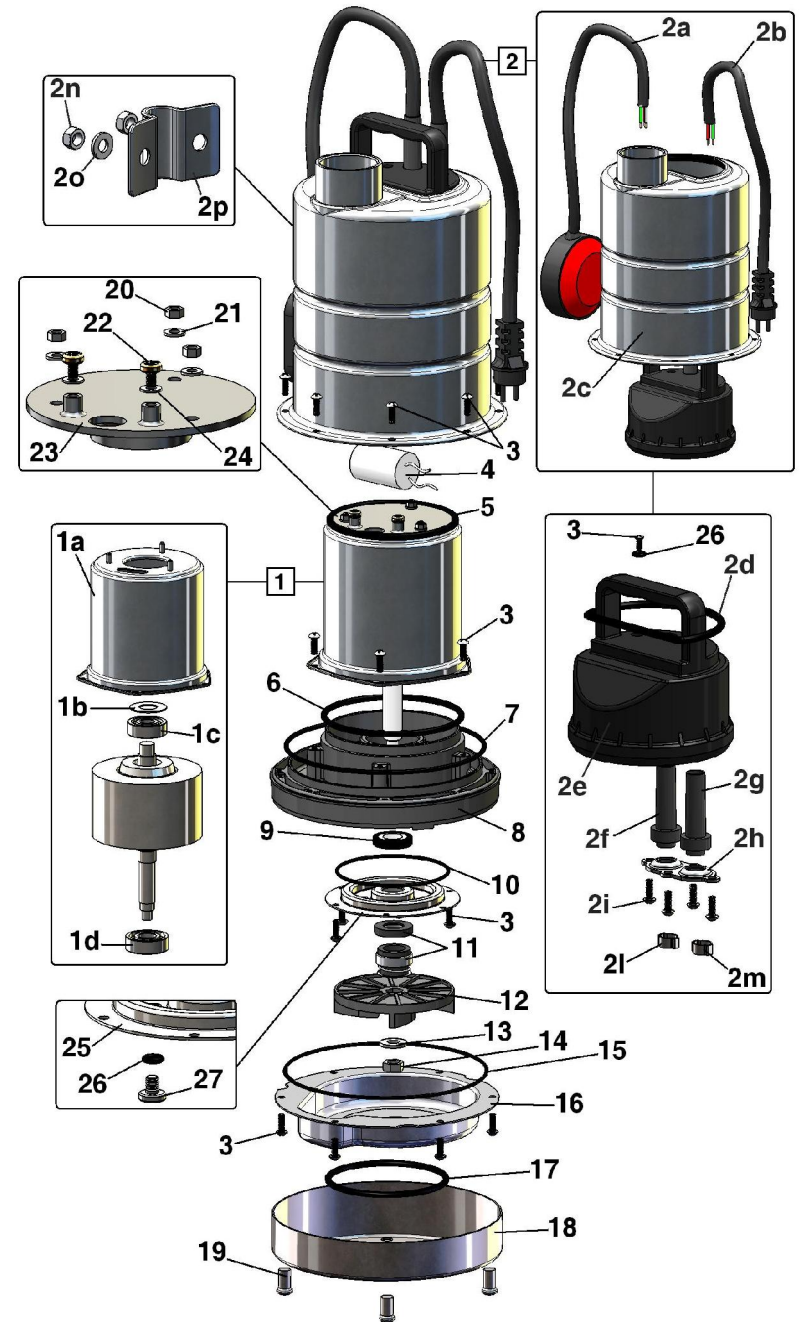


Pos.	Tipo	MZB0600 5 mt. Autom.	MZB0602 10 mt. Autom.	MZB0603 10 mt. Man.	Q.tà
1	Motore completo – Full set of motor/frame – Moteur complet	0998.MZR0600.RI	0998.MZR0600.RI	0998.MZR0600.RI	1
1a	Porta motore – <i>Motor flange</i> – Flasque moteur	0205.ALK0300.00	0205.ALK0300.00	0205.ALK0300.00	1
1b	Anello di compensazione – <i>Adjusting ring</i> – Ressort	0651.TGR0800.00	0651.TGR0800.00	0651.TGR0800.00	1
1c	Cuscinetto – <i>Bearing</i> – Coussinet	0676.TGR0800.00	0676.TGR0800.00	0676.TGR0800.00	1
1d	Cuscinetto – <i>Bearing</i> – Coussinet	0680.RMC1000.00	0680.RMC1000.00	0680.RMC1000.00	1
2	Ass.Coperchio – Cover unit – Couvercle assemble	0997.MZR0300.00	0997.MZR0302.00	0997.MZR0303.00	1
2a	Galleggiante – <i>Floating switch</i> – Contacteur à flotteur	0780.RGL0300.00	0780.RGL0300.00	---	1
2b	Cavo alimentaz. – <i>Cable with plug</i> – Cable d'alimentation	0755.TGR0800.00	0752.TGR0800.00	0752.TGR0800.00	1
2c	Carcassa esterna – <i>External motor housing</i> – Carcasse extérieure	0156.MZR0300.00	0156.MZR0300.00	0156.MZR0300.00	1
2d	Guarnizione OR – <i>"O" Ring</i> – Garniture "OR"	0501.MZR0300.00	0501.MZR0300.00	0501.MZR0300.00	1
2e	Coperchio – <i>Cover</i> – Couvercle	0367.MZN0300.00	0367.MZN0300.00	0367.MZN0301.00	1
2f	Guaina – <i>Cable sheath</i> – Gaine	0478.TGR0800.00	0478.TGR0800.00	---	1
2g	Guaina – <i>Cable sheath</i> – Gaine	0478.TGR0800.00	0478.TGR0800.00	0478.TGR0800.00	1
2h	Pressaguaina – <i>Protective covering clamping</i> – Presse gaine	0106.ALK0300.00	0106.ALK0300.00	0106.ALK0300.00	1
2i	Vite – <i>Screw</i> – Vis	0588.RGL0300.00	0588.RGL0300.00	0588.RGL0300.00	4
2l	Antistrappo – <i>Anti-Learing</i> – Antifente	0652.TGR0800.00	0652.TGR0800.00	---	1
2m	Antistrappo – <i>Anti-Learing</i> – Antifente	0652.TGR0800.00	0652.TGR0800.00	0652.TGR0800.00	1
2n	Dado – <i>Nut</i> – Écrou	0550.RGL0300.00	0550.RGL0300.00	0550.RGL0300.00	2
2o	Rondella – <i>Washer</i> – Rondelle	0625.RGL0300.00	0625.RGL0300.00	0625.RGL0300.00	2
2p	Piastrina fermagalleg. – <i>Float clamping</i> – Plaquette fixe-flotteur	0102.ABS1000.00	0102.ABS1000.00	0102.ABS1000.00	1
3	Vite – <i>Screw</i> – Vis	0588.RGL0300.00	0588.RGL0300.00	0588.RGL0300.00	26
4	Condensatore – <i>Capacitor</i> – Condensateur	0731.RGL0500.00	0731.RGL0500.00	0731.RGL0500.00	1
5	Guarnizione OR – <i>"O" Ring</i> – Garniture "OR"	0509.ALK0300.00	0509.ALK0300.00	0509.ALK0300.00	1
6	Guarnizione OR – <i>"O" Ring</i> – Garniture "OR"	0508.ALK0300.00	0508.ALK0300.00	0508.ALK0300.00	1
7	Guarnizione OR – <i>"O" Ring</i> – Garniture "OR"	0504.RGL0300.00	0504.RGL0300.00	0504.RGL0300.00	1
8	Flangia porta motore – <i>Motor flange</i> – Flasque moteur	0359.MZR0300.00	0359.MZR0300.00	0359.MZR0300.00	1
9	Guarnizione MIM – <i>MIM gasket</i> – Garniture MIM	0530.TGR0800.00	0530.TGR0800.00	0530.TGR0800.00	2
10	Guarnizione OR – <i>"O" Ring</i> – Garniture "OR"	0509.MZR0300.00	0509.MZR0300.00	0509.MZR0300.00	1
11	Tenuta meccanica – <i>Mechanical seal</i> – Garniture mécanique	0471.TGR0800.00	0471.TGR0800.00	0471.TGR0800.00	1
12	Girante – <i>Impeller</i> – Turbine	0364.MZR0500.00	0364.MZR0500.00	0364.MZR0500.00	1
13	Rondella – <i>Washer</i> – Rondelle	0634.RPX0732.00	0634.RPX0732.00	0634.RPX0732.00	1
14	Dado – <i>Nut</i> – Écrou	0556.TGR0800.00	0556.TGR0800.00	0556.TGR0800.00	1
15	Guarnizione OR – <i>"O" Ring</i> – Garniture "OR"	0507.MZR0300.00	0507.MZR0300.00	0507.MZR0300.00	1
16	Diffusore – <i>Diffuser</i> – Diffuseur	0204.MZB0300.00	0204.MZB0300.00	0204.MZB0300.00	1
17	Guarnizione – <i>Gasket</i> – Garniture	0532.MZB0300.00	0532.MZB0300.00	0532.MZB0300.00	1
18	Griglia aspirazione – <i>Grid</i> – Grille d'aspiration	0182.MZB0300.00	0182.MZB0300.00	0182.MZB0300.00	1



Pos.	Tipo	MZB0600 5 mt. Autom.	MZB0602 10 mt. Autom.	MZB0603 10 mt. Man.	Q.tà
19	Tirante speciale – <i>Special tie-rod</i> – Tirant spécial	0558.RGL0800.00	0558.RGL0800.00	0558.RGL0800.00	4
20	Dado – <i>Nut</i> – Écrou	0555.TGR0800.00	0555.TGR0800.00	0555.TGR0800.00	3
21	Rondella – <i>Washer</i> – Rondelle	0625.RGL0300.00	0625.RGL0300.00	0625.RGL0300.00	3
22	Vite – <i>Screw</i> – Vis	0576.TGR0800.00	0576.TGR0800.00	0576.TGR0800.00	2
23	Porta cuscinetti – <i>Bearing holder</i> – Porte-coussinet	0329.ALK0300.00	0329.ALK0300.00	0329.ALK0300.00	1
24	Rondella – <i>Washer</i> – Rondelle	0628.TGR0800.00	0628.TGR0800.00	0628.TGR0800.00	2
25	Disco portaten. – <i>Mechan.seal disc holder</i> – Plateau porte garnit.mécan	0210.MZR0300.00	0210.MZR0300.00	0210.MZR0300.00	1
26	Guarnizione OR – <i>“O” Ring</i> – Garniture “OR”	0504.TGR0800.00	0504.TGR0800.00	0504.TGR0800.00	2
27	Tappo – <i>Plug</i> – Bouchon	0405.RGL0300.00	0405.RGL0300.00	0405.RGL0300.00	1

