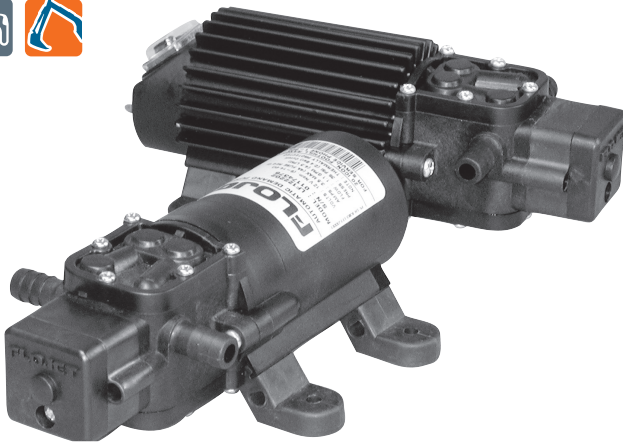


MOTOR DRIVEN



LF SERIES | FOR INTERNATIONAL & US MARKETS

This ultra compact pump uses the duplex diaphragm design to deliver flow and pressure comparable to much larger pumps.



FEATURES

- Sealed pressure switch automatically starts and stops pump when discharge valve opens and closes
- Self-priming so pump can be located above supply tank
- Can run dry for extended periods of time without damage
- Built-in thermal protector
- Low amp draw for battery powered applications

OPTIONAL FEATURES

- Sealed motor with protective metal cooling finned cover
- Integral 5 amp in-line fuse with cover
- Manual on/off switch with protective cap to turn off pump when supply tank is empty

SPECIFICATIONS - LF12 AND LF11 SERIES

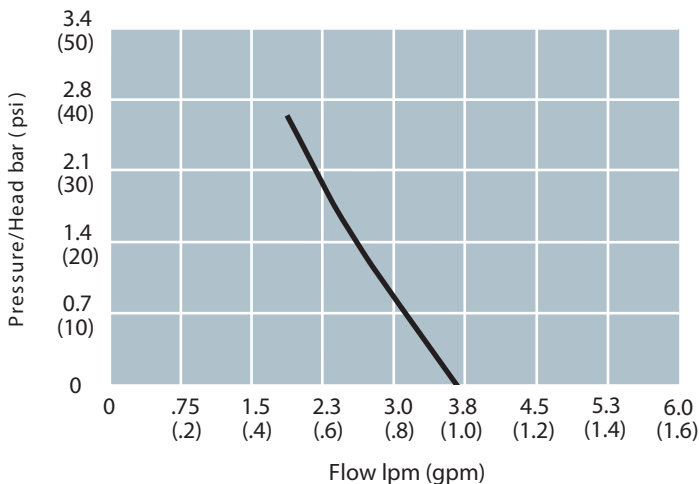
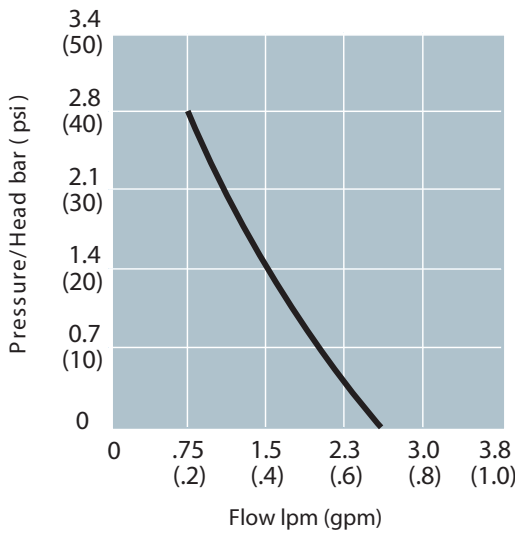
Pump Design	Reciprocating Diaphragm
Flow Rate	3.8 L / min (1.0 GPM) Nominal @ Open Flow
Duty Cycle	Intermittent

WETTED PARTS

Housing	Polypropylene
Diaphragm	Santoprene®
Check Valve	Viton® or EPDM
Check Valve Spring	316 Stainless Steel
Minimum Tip Size	#8 Tip, .072" (1.83 mm) Diameter
Port Type	9.5 mm (3/8") Hose Barb
Operating Pressure	1.7 bar (25 PSI) Maximum
Pressure Switch Setting	2.4 bar (35 PSI) Off, 1.7 bar 25 PSI On
Self-Priming	.76m (Up to 2.5 ft) Vertically
Liquid Temperature	43° C (110° F) Maximum
Motor Type	Permanent Magnet Motor
Motor Voltage	12 V DC, 24VDC
Current	2.5 Amp Nominal @ 1.7 bar (25 PSI)

INST. SHEET #81000-312

PERFORMANCE



LF SERIES | FOR INTERNATIONAL & US MARKETS

MODELS

MODEL #S	VOLTAGE	SWITCH BAR (PSI)	BYPASS BAR (PSI)	DIAPHRAGM	CHECK VALVE	OPEN FLOW LPM (GPM)	COMMENTS
RLF112201	12V	2.5 (35)	No	Santoprene	Viton	3.8 (1.0)	Fins, Inline Connector, Inline Fuse
RLF112421	12V	2.8 (40)	Yes	Santoprene	Viton	2.6 (0.7)	Heat Sink
RLF122002	12V	No	No	Santoprene	EPDM	3.8 (1.0)	
RLF122201	12V	2.5 (35)	No	Santoprene	Viton	3.8 (1.0)	
RLF122202	12V	2.5 (35)	No	Santoprene	EPDM	3.8 (1.0)	
RLF122205	12V	2.5 (35)	No	Geolast	Viton	3.8 (1.0)	
RLF221422	24V	2.8 (40)	Yes	Santoprene	EPDM	2.6 (0.7)	
RLF222002	24V	No	No	Santoprene	EPDM	3.8 (1.0)	
RLF222201	24V	2.5 (35)	No	Santoprene	Viton	3.8 (1.0)	
RLF222202	24V	2.5 (35)	No	Santoprene	EPDM	3.8 (1.0)	
RLF222205	24V	2.5 (35)	No	Geolast	Viton	3.8 (1.0)	

DIMENSIONAL DRAWING

UNLESS OTHERWISE STATED DIMENSIONS IN [] ARE IN MM.

