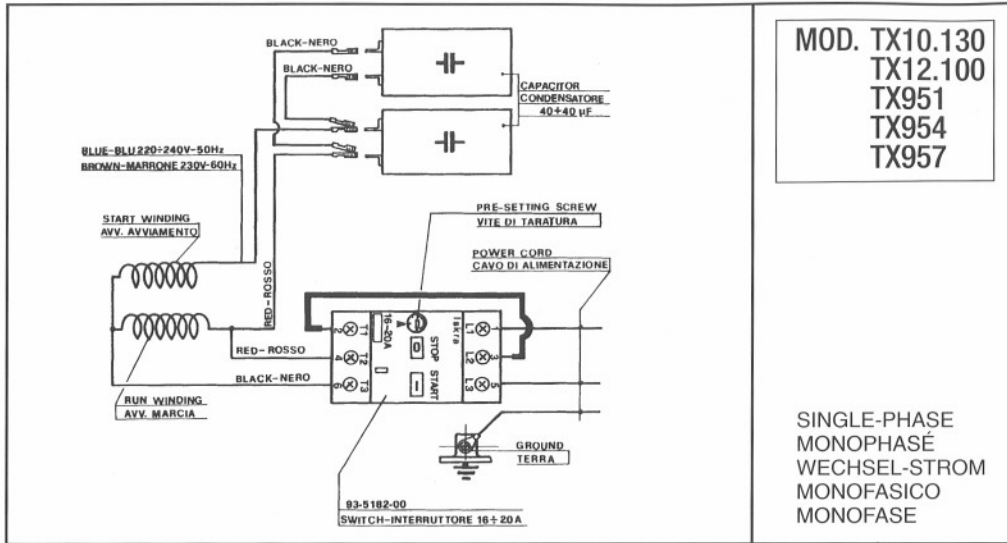
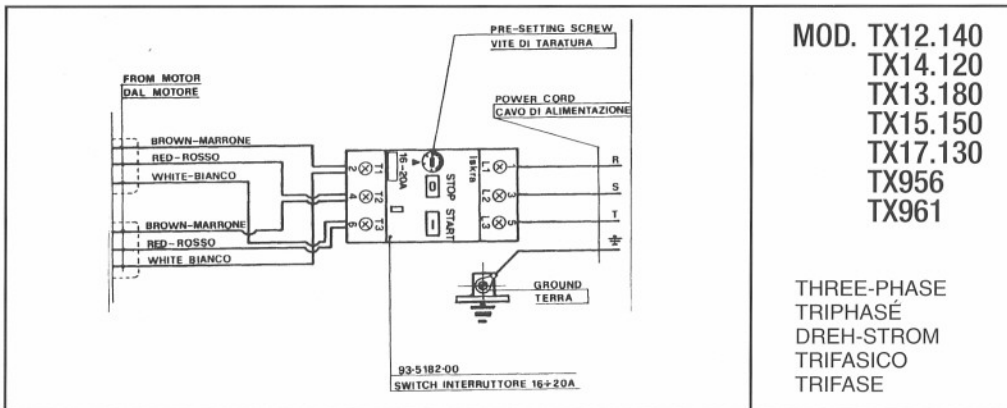


SERIES "TX"



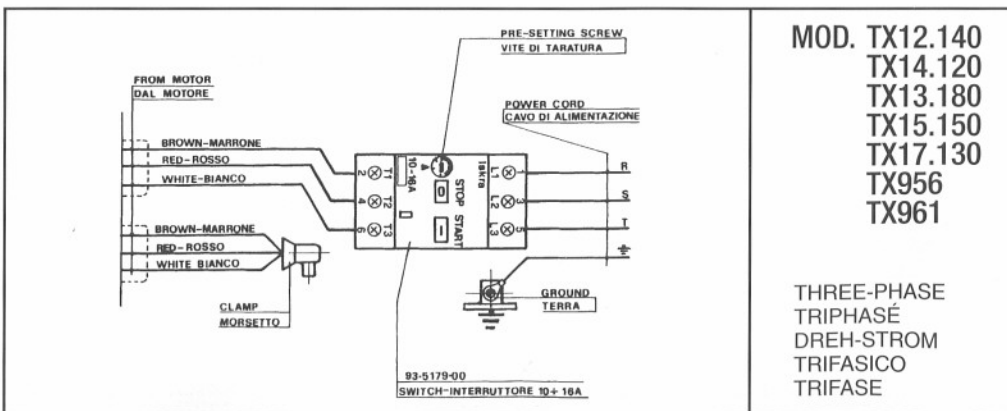
MOD. TX10.130
TX12.100
TX951
TX954
TX957

SINGLE-PHASE
MONOPHASE
WECHSEL-STROM
MONOFASICO
MONOFASE



MOD. TX12.140
TX14.120
TX13.180
TX15.150
TX17.130
TX956
TX961

THREE-PHASE
TRIPHASE
DREH-STROM
TRIFASICO
TRIFASE



MOD. TX12.140
TX14.120
TX13.180
TX15.150
TX17.130
TX956
TX961

THREE-PHASE
TRIPHASE
DREH-STROM
TRIFASICO
TRIFASE

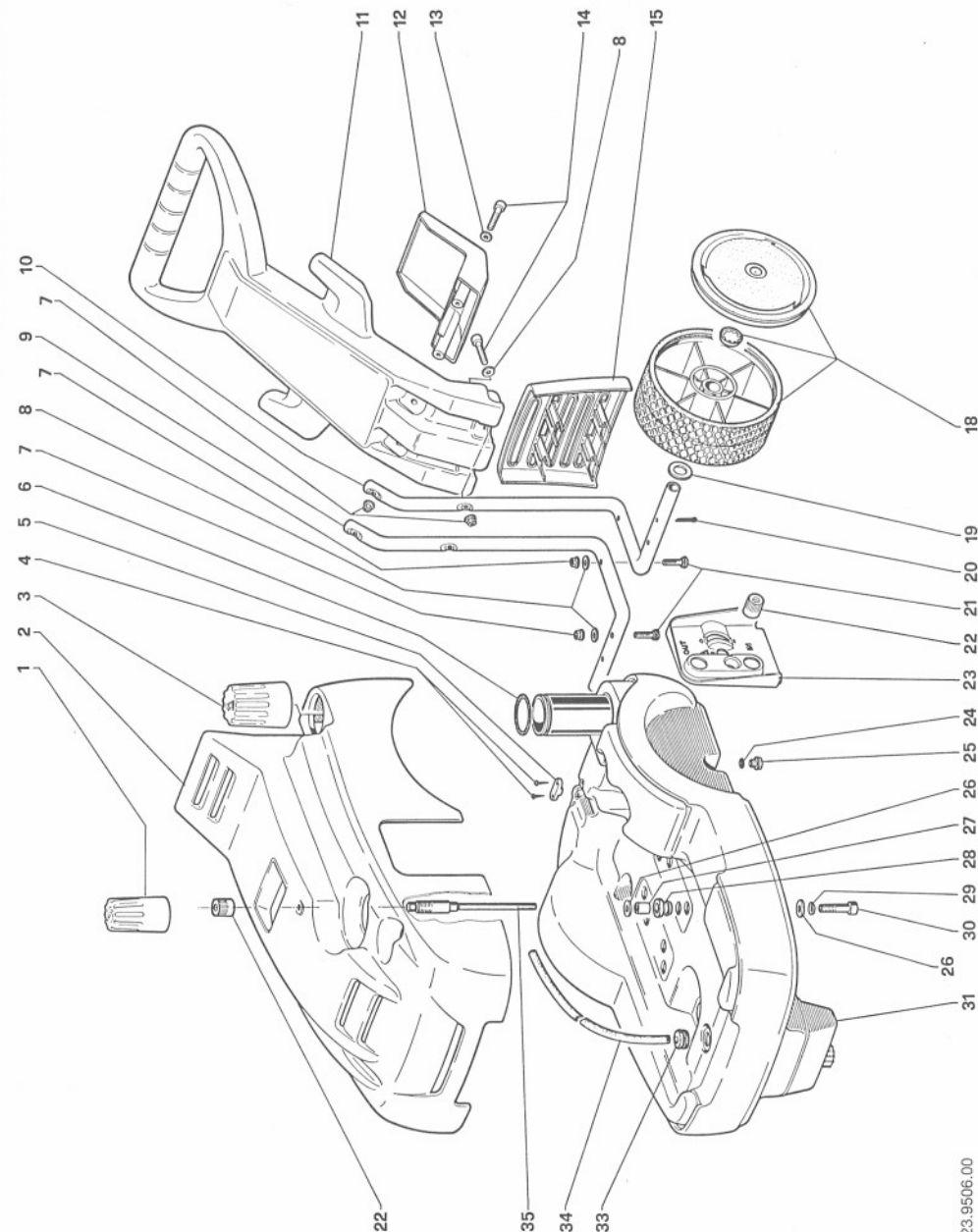
Parts list
Liste des pièces détachées
Ersatzteilliste
Lista de repuestos
Lista de peças de reposição
Nomenclatura ricambi
Onderdelenlijst
Delelista
Reservedelsliste
Varaosaluettelo
Dele Liste
Λίστα ανταλλακτικών



T - TX

- LIST OF SPARE PARTS
- LISTE DE PIÈCES DÉTACHÉES
- ERSATZTEILLISTE
- LISTA DE REPUESTOS
- NOMENCLATURA RICAMBI
- ONDERDELENLIJST
- RESERVEDELSLISTA
- RESERVEDELSLISTE
- VARAOSALUETTELO
- RESERVEDELSLISTE

POS.	CODE CODICE	N. PCS.
1	36.3222.51 - T	1
	36.3221.51 - TX	1
2	23.0084.51 - T	1
	23.0083.51 - TX	1
3	23.0087.51	1
4	99.1312.00	2
5	23.0095.51	1
6	90.3889.00	1
7	92.2040.00	8
8	96.6962.00	6
9	23.0089.88	1
10	23.0088.88	1
11	23.0093.51	1
12	23.0102.51	1
13	96.6925.00	2
14	99.1943.00	4
15	23.0086.51	1
18	96.9327.00	2
19	96.7521.00	2
20	91.7129.00	2
21	99.1929.00	4
22	52.2122.51	2
23	23.0091.51 - T	1
	23.0090.51 - TX	1
24	90.3818.00	1
25	98.2041.00	1
26	96.7072.00	8
27	23.0099.70	4
28	23.0098.47	4
29	96.7016.00	4
30	99.3099.00 - T	4
	99.3129.00 - TX	4
31	23.0092.02	1
33	23.0101.47	1
34	10.0529.98	1
35	23.0127.02	1



PRESSURE REGULATOR - REG. DI PRESSIONE

KR 90T - KR 100T

KR 90T	KR 100T
MODEL	MODEL
T 8-90	T 10-100 T 11-120

- SPARE PARTS KITS
- KITS DE PIECES DETACHEES
- ERSATZTEILENKITS
- KITS DE REPUESTOS
- KIT RICAMBI

- ONDERDELENKITS
- RESERVEDELS KITS
- RESERVEDELS KITS
- VARAOSAT
- RESERVEDELER I KIT

KIT N.	KIT 99 (KR 90T) (KR 100T)	KIT 138
Positions included	2-4-5-7-8-9-10 12-13-15-16 21-39-42-47 48-53-54	15-25-26-27 28-29-30-31 32-34
Posizioni incluse		
N. pcs.	1	1

*** TAB. "A"

KR 90T	11	36.2572.70	Ø 2,25	1
	45	10.0307.51	Ø 1,8	1
KR 100T	11	36.2595.70	Ø 2,5	1
	45	10.0151.66	Ø 2	1

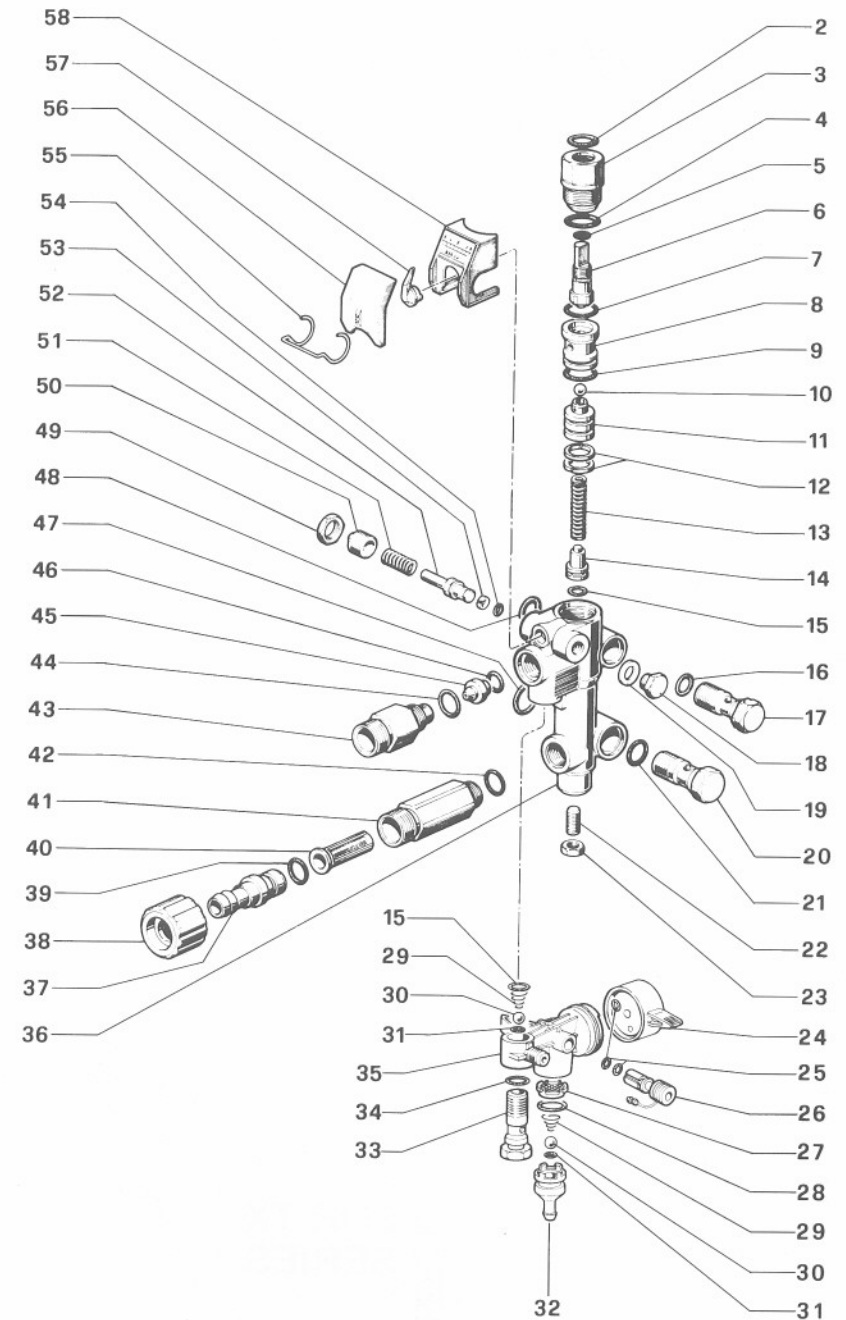
- LIST OF SPARE PARTS
- LISTE DE PIECES DETACHEES
- ERSATZTEILLISTE
- LISTA DE REPUESTOS
- NOMENCLATURA RICAMBI

- ONDERDELENLISTE
- RESERVEDELSLISTA
- RESERVEDELSLISTE
- VARAOSALUETTELO
- RESERVEDELSLISTE

POS.	CODE CODICE	N. PCS.
2	90.3835.00	1
3	36.2556.70	1
4	90.3847.00	1
5	90.3580.00	2
6	36.2574.02	1
7	90.3598.00	1
8	36.2554.66	1
9	90.3596.00	1
10	97.4802.00	1
11	***	
12	90.5080.00	2
13	94.7344.00	1
14	36.2552.70	1
15	90.3582.00	2
16	90.3820.00	1
17	36.2567.70	1
18	98.1966.00	1
19	96.7100.00	1
20	36.2568.70	1
21	90.3827.00	1
22	99.3054.00	1
23	92.2218.00	1

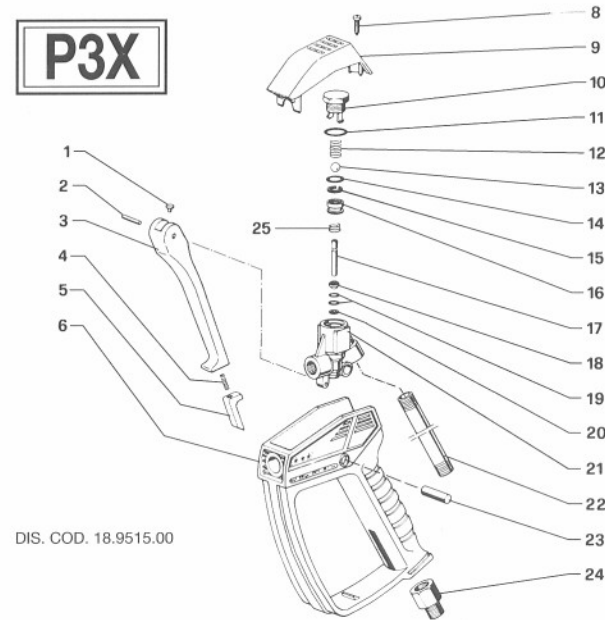
POS.	CODE CODICE	N. PCS.
24	36.3217.51	1
25	90.3570.00	3
26	36.3220.51	1
27	36.3219.51	1
28	90.3831.00	1
29	94.8217.00	2
30	97.4782.00	2
31	90.3572.00	2
32	36.3218.51	1
33	36.2563.70	1
34	90.3585.00	1
35	36.3216.51	1
36	36.2588.41	1
37	36.2569.51	1
38	10.0119.02	1
39	90.3828.00	1
40	92.8925.00	1
41	36.2560.70	1
42	36.2584.70	1
43	90.3591.00	1
44	10.0147.70	1
45	90.3832.00	1

POS.	CODE CODICE	N. PCS.
45	***	
46	90.3822.00	1
47	90.3839.00	1
48	90.3833.00	1
49	92.2492.00	1
50	36.2580.70	1
51	94.7338.00	1
52	36.2589.70	1
53	90.5004.00	1
54	90.3567.00	1
55	94.8718.00	1
56	36.2577.51	1
57	36.2578.51	1
58	36.2590.01	1



ACCESSORIES FOR TX SERIES

P3X



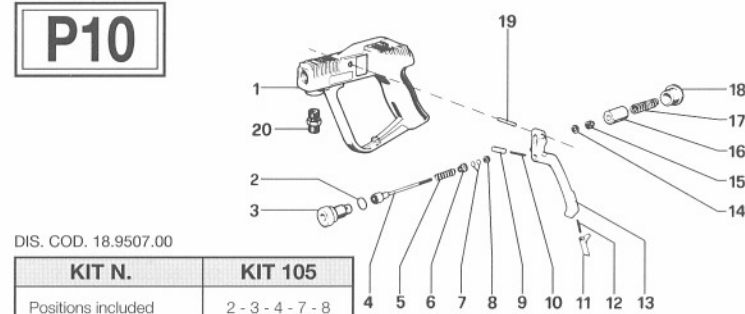
DIS. COD. 18.9515.00

POS.	CODE CODICE	N. PCS.
1	18.2082.64	1
2	97.6143.00	1
3	18.2079.51	1
4	94.7303.00	1
5	18.2050.51	1
6	18.2080.51	1
8	99.0845.00	1
9	18.2081.51	1
10	18.2075.70	1
11	90.3593.00	1
12	94.7342.00	1
13	97.4810.00	1
14	90.3585.00	1
15	90.5068.00	1
16	18.2074.66	1
17	18.2076.66	1
18	18.2077.70	1
19	90.3568.00	2
20	90.5007.00	1
21	18.2073.41	1
22	18.2083.89	1
23	97.6200.00	1
24	ZINA 1/4F	1
25	94.7351.00	1

KIT N.	KIT 116
Positions included Posizioni incluse	10 - 11 - 12 - 13 14 - 15 - 16
N. pcs.	1

ACCESSORIES FOR T SERIES

P10

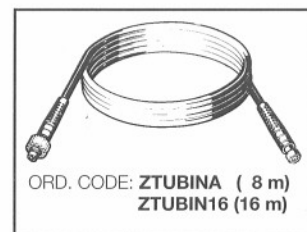


DIS. COD. 18.9507.00

KIT N.	KIT 105
Positions included Posizioni incluse	2 - 3 - 4 - 7 - 8
N. pcs.	1

POS.	CODE CODICE	N. PCS.
1	18.2056.02	1
2	90.3841.00	1
3	18.2059.02	1
4	18.2071.02	1
5	94.7378.00	1
6	18.2042.70	1
7	90.3568.00	2
8	90.5007.00	1
9	18.2053.70	1
10	94.7305.00	1
11	18.2050.51	1
12	94.7303.00	1
13	18.2048.51	1
14	96.6840.00	1
15	92.1935.00	1
16	18.2052.70	1
17	94.7414.00	1
18	98.2192.00	1
19	97.6155.00	1
20	95.2840.00	1

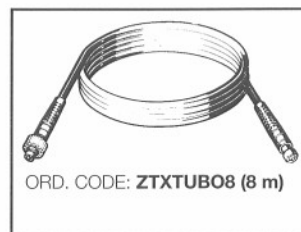
HIGH PRESSURE HOSE - TUYAU HAUTE PRESSION - HOCHDRUCKSCHLAUCH - TUBO DE ALTA PRESSION - TUBO ALTA PRESSIONE



ORD. CODE: ZTUBINA (8 m)
ZTUBIN16 (16 m)

**FOR T
SERIES**

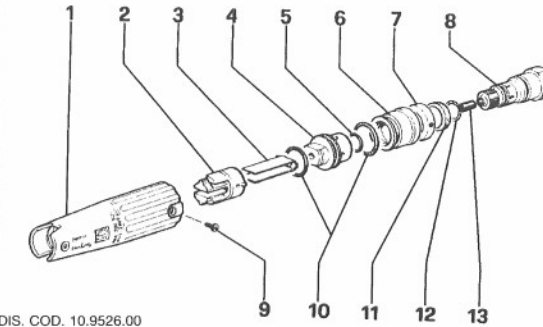
**FOR TX
SERIES**



ORD. CODE: ZTXTUBO8 (8 m)

ACCESSORIES FOR T AND TX SERIES

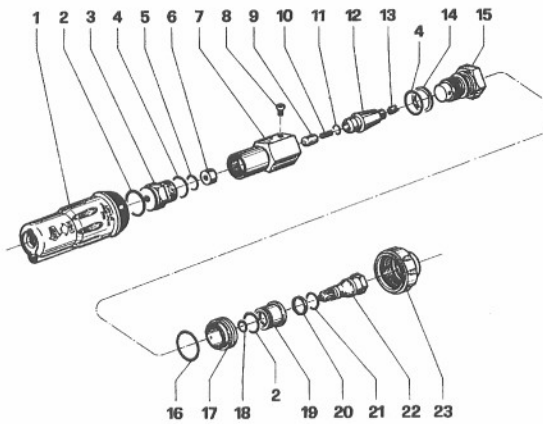
"MULTIREG99"



DIS. COD. 10.9526.00

POS.	CODE CODICE	N. PCS.	POSITION 13	
			SERIES	CODE
1	10.0483.51	1	T8-90	135
2	10.0299.51	1	T10-100	145
3	10.1304.76	1	T11-120	150
4	10.0486.70	1	TX10-130	130
5	90.3819.00	1	TX12-100	150
6	10.0485.70	1	TX12-140	140
7	10.0496.70	1	TX14-120	155
8	10.0484.70	1	TX13-180	135
9	99.0702.00	2	TX15-150	155
10	90.3845.00	2	TX17-130	175
11	90.2680.00	1	TX951	145
12	90.3828.00	1	TX954	165
			TX957	180
			TX956-TX961	155

"ROTOTEK"



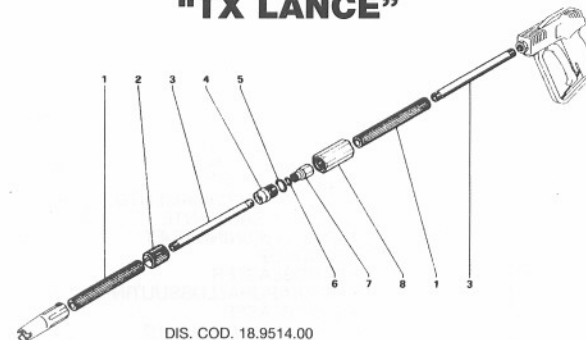
DIS. COD. 10.9545.00

POS.	CODE CODICE	N. PCS.	POS.	CODE CODICE	N. PCS.
1	10.0568.51	1	13	10.0453.51	1
2	90.3845.00	2	14	90.5090.00	1
3	10.0450.70	1	15	Tab. "A"	
4	90.3835.00	2	16	90.3867.00	1
5	90.3585.00	1	17	10.0567.51	1
6	10.0455.09	1	18	90.3819.00	1
7	10.0451.70	1	19	10.0485.70	1
8	99.0702.00	1	20	90.2680.00	1
9	10.0456.09	1	21	90.3828.00	1
10	Tab. "A"		22	10.0484.70	1
11	90.3574.00	1	23	10.0566.51	1
12	10.0564.02	1			

TAB. "A"

SERIES	POS.	SERIES	N. PCS.
T8-90	10	140	1
TX10.130 - TX13.180	15	10.0472.70	1
T10-100	10	155	1
	15	10.0471.70	1
TX12.140	10	150	1
TX12.100 - TX951	15	10.0454.70	1
T11.120 - TX14.120	10	160	1
TX15.150 - TX956 - TX961	15	10.0471.70	1
TX17.130	10	175	1
TX954 - TX957	15	10.0471.70	1

"TX LANCE"



DIS. COD. 18.9514.00

POS.	CODE CODICE	N. PCS.
1	18.0126.98	2
2	10.0542.51	1
3	18.0127.89	2
4	10.0120.70	1
5	90.3845.00	1
6	90.3820.00	1
7	10.0534.70	1
8	10.0532.02	1

BRUSHKIT



ORD. CODE: **ZTXBRUSH**

- ROTATING BRUSH
- BROSSSE ROTATIVE
- DREHBARE BÜRSTSE
- CEPILLO ROTATIVO
- ESCOVA ROTATIVA
- SPAZZOLA ROTANTE
- ROTERENDE BØRSTSE
- ROTERENDE BØRSTSE
- ROTERENDE BØRSTSE
- PYÖRIVÄ HARJA
- ROTERENDE BØRSTSE
- ΠΕΡΙΣΤΡΕΦΟΜΕΝΗ ΒΟΥΡΤΣΑ

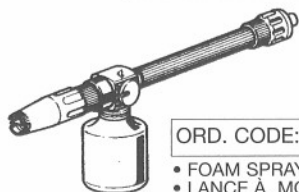
ROTOTEK KIT



ORD. CODE: **ZTX ROK**

- MULTIFUNCTION ROTATING NOZZLE
- BUSE ROTATIVE MULTIFONCTION
- DREHBARE MEHRZWECKDÜSE
- BOQUILLA ROTATIVA MULTIFUNCIÓN
- BICO ROTATIVO MULTIFUNÇÃO
- UGELLO ROTANTE MULTIFUNZIONE
- ROTERENDE DYSE MED FLERE FUNKTIONER
- MULTIFUNCTIONEEL ROTEREND MONDSTUK
- ROTERENDE MUNSTYCKE
- PYÖRIVÄ MONITOIMISUUTIN
- ROTERENDE MUNNSTYCKE
- ΠΟΛΥΛΕΙΤΟΥΡΓΙΚΟ ΠΕΡΙΣΤΡΕΦΟΜΕΝΟ ΑΚΡΟΦΥΣΙΟ

FOAMKIT



ORD. CODE: **ZTXFOAM**

- FOAM SPRAYER
- LANCE À MOUSSE
- SCHAUMLANZE
- LANZA PARA ESPUMA
- LANÇA-ESPUMA
- LANCIA SCHIUMA
- SKUMLANSE
- SCHUIMTOEVOERDER
- SKUMLANS
- VAAHTOSUUTIN
- SKUMSPRØYTE
- ΠΙΣΤΟΛΕΤΟ ΑΦΡΟΥ

INTERFOAM



ORD. CODE: **ZDET**

- FOAM DETERGENT
- DÉTERGENT MOUSSANT
- SCHAUMDETERGENT
- DÉTERGENTE ESPUMÓGENO
- DÉTERGENTE ESPUMANTE
- DÉTERGENTE SCHIUMOGENO
- SKUMVASKEMIDDEL
- SCHUIMEND REINIGINGSMIDDEL
- SKUMSCHAMPO
- VAAHTOMAINEN PESUAINSE
- SKUMVASKEMIDDEL
- ΑΦΡΩΔΕΣ ΑΠΟΡΡΥΠΑΝΤΙΚΟ

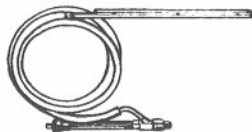
DRAINKIT



ORD. CODE: **ZTXDRAIN**

- DRAIN CLEANING KIT
- JEU DE NETTOYAGE DES TUBES
- ROHRREINIGUNGSKIT
- KIT DE LIMPIEZA DE TUBERÍAS
- ESTOJO LIMPEZA TUBAGENS
- KIT PULIZIA TUBAZIONI
- RØRRENSSE/ÆT
- REINIGINGSSET LEIDINGEN
- RØRRENSNINGSSSET
- LETKUJEN PESUTARVIKKEET
- RØRRENGJØRINGSUTSTYR
- ΚΙΤ ΚΑΘΑΡΙΣΜΟΥ ΣΩΛΗΝΩΣΕΩΝ

SANDKIT



ORD. CODE: **ZTXSAND**

- SAND-BLASTING KIT
- KIT DE SABLAGE
- SANDSTRAHLKIT
- KIT ARENADOR
- CABEÇA DE AREIAMENTO
- TESTINA SABBIANTE
- SANDBLÆSNINGSSÆT
- ZANDKOP
- SANDBLÅSTER
- HIEKKAPUHALLUSSUUTIN
- SANDBLÅSER
- ΚΕΦΑΛΗ ΑΜΜΟΒΟΛΗΣ