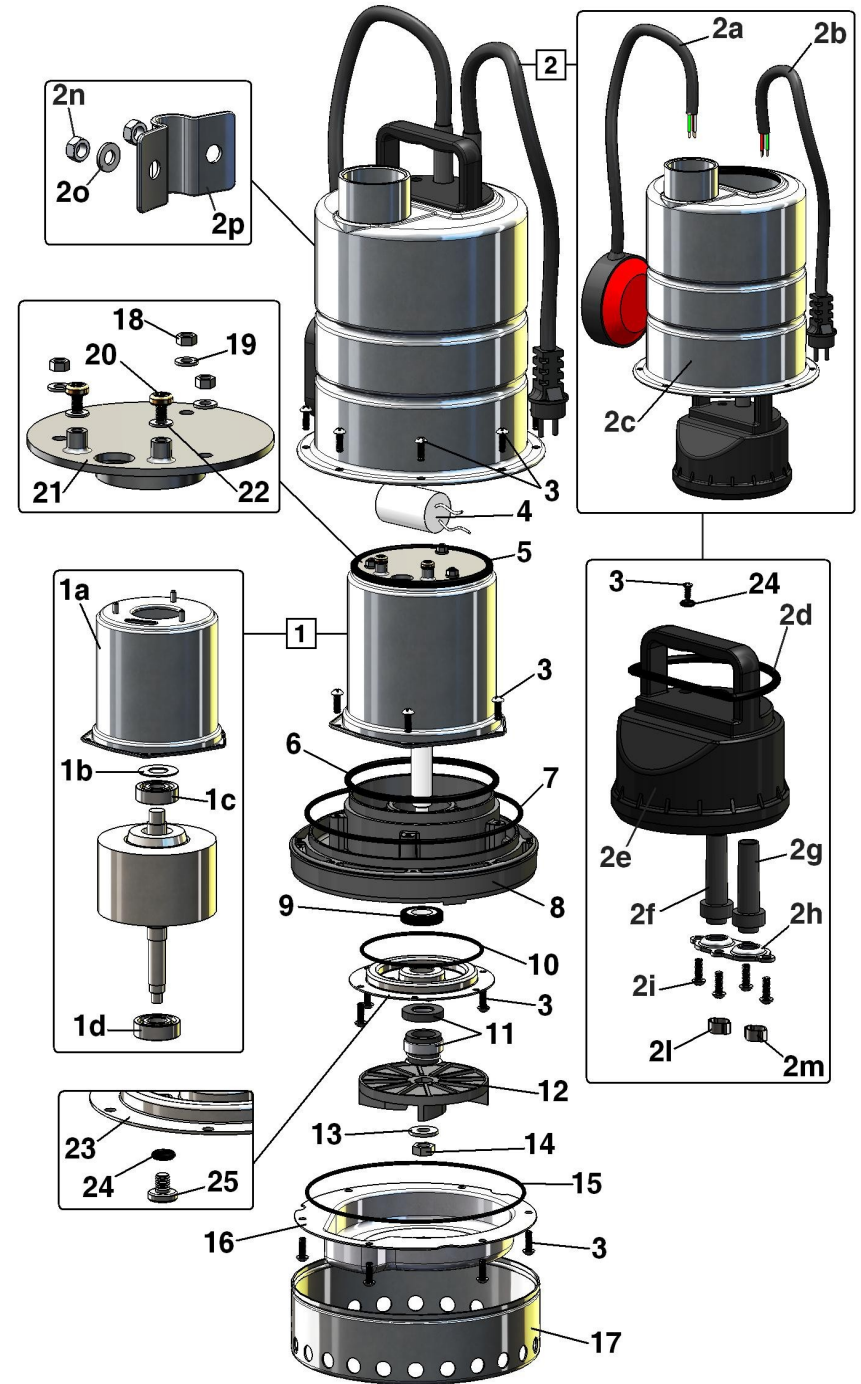


Pos.	Tipo	MZX0602 10 mt. Autom.	MZX0603 10 mt. Man.	Q.ta
1	Motore completo – Full set of motor/frame – Moteur complet	0998.MZX0600.RI	0998.MZX0600.RI	1
1a	Porta motore – Motor flange – Flasque moteur	0205.ABS0300.00	0205.ABS0300.00	1
1b	Anello di compensazione – Adjusting ring – Ressort	0651.TGR0800.00	0651.TGR0800.00	1
1c	Cuscinetto – Bearing – Coussinet	0676.TGR0800.00	0676.TGR0800.00	1
1d	Cuscinetto – Bearing – Coussinet	0680.RMC1000.00	0680.RMC1000.00	1
2	Ass.Coperchio – Cover unit – Couvercle assemble	0997.MZX0302.00	0997.MZX0303.00	1
2a	Galleggiante – Floating switch – Contacteur à flotteur	0783.RVX0800.00	---	1
2b	Cavo alimentaz. – Cable with plug – Cable d'alimentation	0751.RGL0300.00	0751.RGL0300.00	1
2c	Carcassa esterna – External motor housing – Carcasse extérieure	0156.ABS0300.00	0156.ABS0300.00	1
2d	Guarnizione OR – “O” Ring – Garniture “OR”	0502.MZX0500.00	0502.MZX0500.00	1
2e	Coperchio – Cover – Couvercle	0367.ALK0300.00	0367.RGL0401.00	1
2f	Guaina – Cable sheath – Gaine	0480.ABS1000.00	---	1
2g	Guaina – Cable sheath – Gaine	0478.ABS1000.00	0478.ABS1000.00	1
2h	Pressaguaina – Protective covering clamping – Presse gaine	0106.ALK0300.00	0106.ALK0300.00	1
2i	Vite – Screw – Vis	0588.ABS0300.00	0588.ABS0300.00	4
2l	Antistrappo – Anti-Learing – Antifente	0652.TGR0800.00	---	1
2m	Antistrappo – Anti-Learing – Antifente	0652.TGR0800.00	0652.TGR0800.00	1
2n	Dado – Nut – Écrou	0550.ABS1000.00	0550.ABS1000.00	2
2o	Rondella – Washer – Rondelle	0625.ABS1000.00	0625.ABS1000.00	2
2p	Piastrina fermagalleg. – Float clamping – Plaquette fixe-flotteur	0102.ABS1000.00	0102.ABS1000.00	1
3	Vite – Screw – Vis	0588.ABS0300.00	0588.ABS0300.00	26
4	Condensatore – Capacitor – Condensateur	0731.RGL0500.00	0731.RGL0500.00	1
5	Guarnizione OR – “O” Ring – Garniture “OR”	0502.MZX0500.00	0502.MZX0500.00	1
6	Guarnizione OR – “O” Ring – Garniture “OR”	0508.MZX0300.00	0508.MZX0300.00	1
7	Guarnizione OR – “O” Ring – Garniture “OR”	0504.MZX0300.00	0504.MZX0300.00	1
8	Flangia porta motore – Motor flange – Flasque moteur	0359.MZR0300.00	0359.MZR0300.00	1
9	Guarnizione MIM – MIM gasket – Garniture MIM	0530.TGR0800.00	0530.TGR0800.00	2
10	Guarnizione OR – “O” Ring – Garniture “OR”	0509.MZX0600.00	0509.MZX0600.00	1
11	Tenuta meccanica – Mechanical seal – Garniture mécanique	0472.ABS1000.00	0472.ABS1000.00	1
12	Girante – Impeller – Turbine	0364.MZR0500.00	0364.MZR0500.00	1
13	Rondella – Washer – Rondelle	0634.RPX0732.00	0634.RPX0732.00	1
14	Dado – Nut – Écrou	0556.TGR0800.00	0556.TGR0800.00	1
15	Guarnizione OR – “O” Ring – Garniture “OR”	0507.MZX0300.00	0507.MZX0300.00	1
16	Diffusore – Diffuser – Diffuseur	0204.ABS0300.00	0204.ABS0300.00	1
17	Griglia aspirazione – Grid – Grille d'aspiration	0182.ABS0300.00	0182.ABS0300.00	1
18	Dado – Nut – Écrou	0555.TGR0800.00	0555.TGR0800.00	3



Pos.	Tipo	MZX0602 10 mt. Autom.	MZX0603 10 mt. Man.	Q.ta
19	Rondella – Washer – Rondelle	0625.ABS1000.00	0625.ABS1000.00	3
20	Vite – Screw – Vis	0576.TGR0800.00	0576.TGR0800.00	2
21	Porta cuscinetti – Bearing holder – Porte-coussinet	0329.ALK0300.00	0329.ALK0300.00	1
22	Rondella – Washer – Rondelle	0628.TGR0800.00	0628.TGR0800.00	2
23	Disco portaten. – Mechan.seal disc holder – Plateau porte garnit.mécan	0210.ABS0300.00	0210.ABS0300.00	1
24	Guarnizione OR – “O” Ring – Garniture “OR”	0504.ABS0300.00	0504.ABS0300.00	2
25	Tappo – Plug – Bouchon	0405.RGL0300.00	0405.RGL0300.00	1

